

Longpass 530 HT - on request



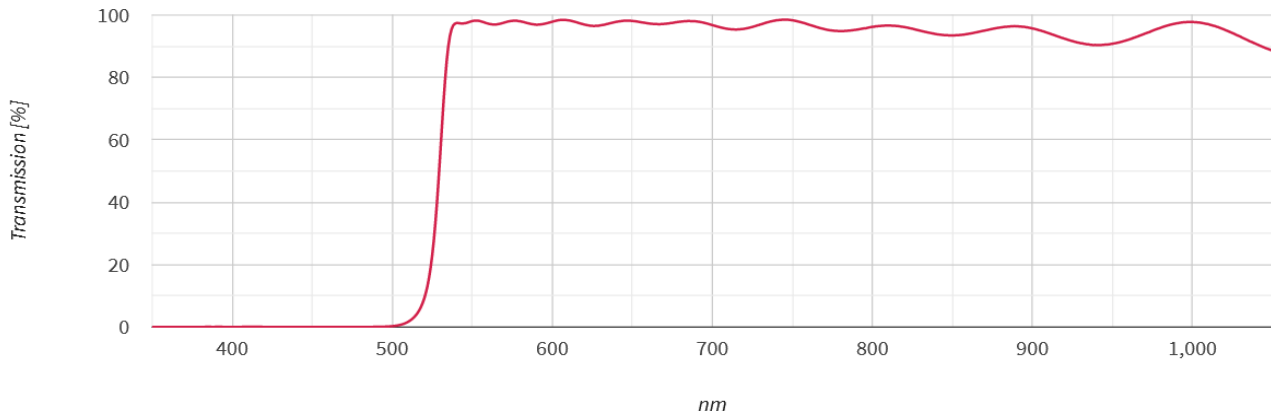
Schneider-Kreuznach magnetron sputtered industrial longpass filters impress with steep slopes and high transmission at stable cut-on wavelengths. The very flat surface makes them ideal for high end machine vision systems in factory automation. All longpass filters come with superior antireflection coating. Schneider-Kreuznach longpass filters are RoHS conform. Custom sizes are available on request.



| Key features | Applications |
|------------------------------------------------------------------------------------------------------------------------------------------------------------------------------------------------------------------------------------------------------|--------------------------------------------------------------------------------------------------------------------------------------------------------------------------------------------|
| <ul style="list-style-type: none"> • Average transmittance 95% • Steep slopes • Wavelength tolerance of interference filters +/- 1% • Ultra low reflection • Deep blocking / High optical density | <ul style="list-style-type: none"> • Metrology • 3D Measurement • Food and beverage inspection • Automotive • Security and surveillance |

| Standard Products | | available on request | |
|-------------------|------------------------------------|----------------------|-----------------------------|
| Name | Description | Name | Description |
| LP 365 E | absorption filter - UV-Cut >365 nm | LP 400 HT | Longpass > 400 nm |
| LP 430 HT | Longpass > 430 nm | LP 460 HT | Longpass > 460 nm |
| LP 600 E | absorption filter - Light Red | LP 495 HT | Longpass > 495 nm |
| LP 625 E | absorption filter - Red | LP 515 HT | Longpass > 515 nm |
| LP 695 | absorption filter - Dark Red | LP 530 HT | Longpass > 530 nm |
| LP 765 HT | Longpass > 765 nm | LP 565 HT | Longpass > 565 nm |
| LP 775 | absorption filter - NIR Pass | LP 590 HT | Longpass > 590 nm |
| LP 820 HT | Longpass > 820 nm | LP 610 HT | Longpass > 610 nm |
| LP 825 | absorption filter - Black Red | LP 630 HT | Longpass > 630 nm |
| LP 900 HT | Longpass > 900 nm | LP 695 HT | Longpass > 695 nm |
| | | LP 725 HT | Longpass > 725 nm |
| | | LP 780 HT | Longpass > 780 nm |
| | | LP 850 HT | Longpass > 850 nm |

Longpass 530 HT - on request



| Technical specifications | according to ISO 10110 |
|---------------------------|------------------------------------------------------------------------------|
| Angle of incident | 0° +/- 8° |
| Cut-on wavelength | 530 +/- 6 nm |
| Transmittance | 550 - 900 nm: T _{abs} > 90% 550 - 900 nm: T _{ave} > 95% |
| Blocking | < 490 nm: T _{abs} < 0.5% |
| Wavefront distortion | ∅ >18 - 30 mm: 13/ 1(0.25) ∅ >30 - 50 mm: 13/ 1(0.30) |
| Parallelism | 1' |
| Glass thickness tolerance | +/- 0.08mm |

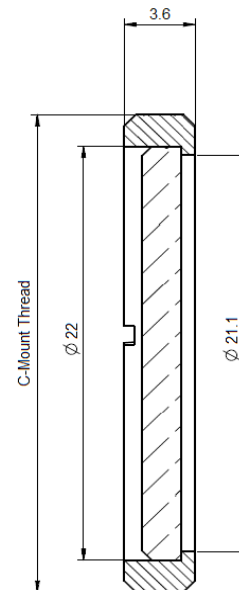
C-Mount

Defined by 1" (25.4mm) diameter and 32 turns per inch pitch, the C-Mount thread is a popular camera mount in machine vision industry. Schneider-Kreuznach offers a CMT mount option for most filters. So filters fit in any C-Mount based mechanics, including the C-Mount thread of a camera. The extension of the back flange distance has to be considered for imaging applications.

| Key features | Applications |
|--------------|--------------|
|--------------|--------------|

- | | |
|-------------------------------------------------------------------------------------------------------------------------------|-----------------------------------------------------------------------------------------------------------------------------------------------|
| <ul style="list-style-type: none"> • Fits in C-Mount cameras • Robust • Black anodized brass | <ul style="list-style-type: none"> • Mounted in C-Mount camera threads • In vision systems based on C-Mount mechanics |
|-------------------------------------------------------------------------------------------------------------------------------|-----------------------------------------------------------------------------------------------------------------------------------------------|

| Thread | Diameter | Clear Aperture | Thickness |
|---------|----------|----------------|-----------|
| 1" - 32 | 25.4 mm | 21.1 mm | 3.6 mm |



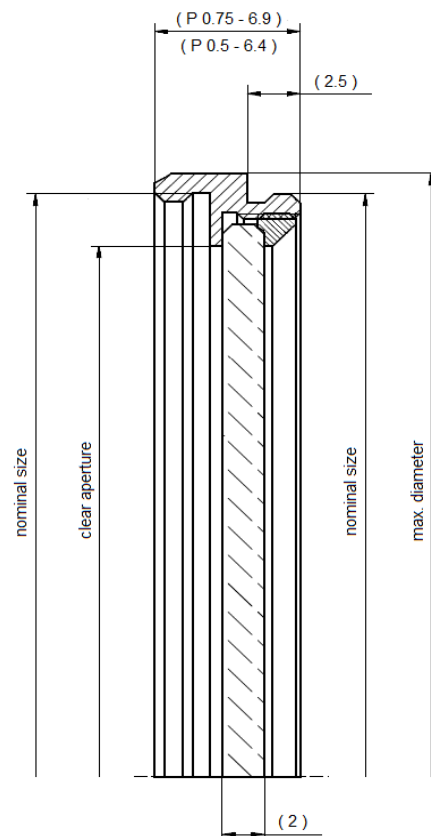
SH-Mount

SH-Mount is the standard thread mount when high flexibility and stability is required. The filter glass is held in place by a retainer ring. SH-Mounts are extremely robust, have a female and male M-thread and can be stacked if several filters must be combined.

| Key features | Applications |
|--------------|--------------|
|--------------|--------------|

- | | |
|-----------------------------------------------------------------------------------------------------------------|---------------------------------------------------------------------------------------------------------------------|
| <ul style="list-style-type: none"> • Stackable • Robust • Black anodized brass | <ul style="list-style-type: none"> • Mounted on lenses • Mounted on measurement instruments |
|-----------------------------------------------------------------------------------------------------------------|---------------------------------------------------------------------------------------------------------------------|

| Thread | Diameter | Clear Aperture | Thickness |
|-------------|----------|----------------|-----------|
| M 25.5x0.5 | 27.0 mm | 20.8mm | 6.4 mm |
| M 27.0x0.5 | 28.5 mm | 21.8 mm | 6.4 mm |
| M 34.0x0.5 | 36.0 mm | 28.8 mm | 6.4 mm |
| M 35.5x0.5 | 37.0 mm | 30.8 mm | 6.4 mm |
| M 37.0x0.75 | 39.0 mm | 31.8 mm | 6.9 mm |
| M 39.0x0.5 | 40.5 mm | 33.8 mm | 6.4 mm |
| M 40.5x0.5 | 42.0 mm | 35.8 mm | 6.4 mm |
| M 43.0x0.75 | 45.0 mm | 37.8 mm | 6.9 mm |
| M 46.0x0.75 | 48.0 mm | 40.8 mm | 6.9 mm |
| M 49.0x0.75 | 51.0 mm | 43.8 mm | 6.9 mm |
| M 52.0x0.75 | 54.0 mm | 46.8 mm | 6.9 mm |
| M 55.0x0.75 | 57.0 mm | 49.8 mm | 6.9 mm |
| M 58.0x0.75 | 60.0 mm | 52.8 mm | 6.9 mm |
| M 62.0x0.75 | 64.5 mm | 56.8 mm | 6.9 mm |
| M 67.0x0.75 | 69.5 mm | 61.8 mm | 6.9 mm |

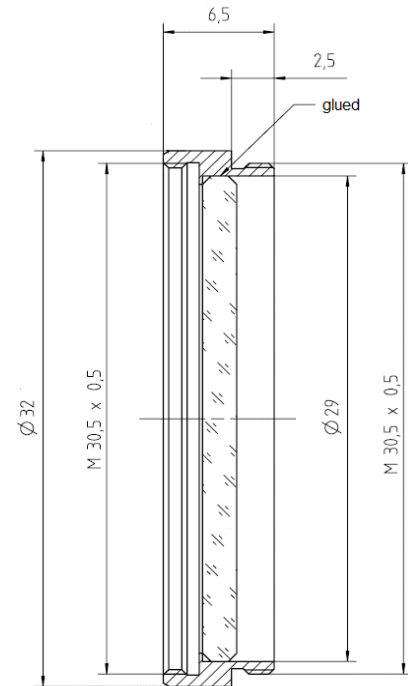


SN1-Mount

The SN1-Mount was designed for the popular M30.5x0.5 thread. With its high clear aperture, vignetting can be avoided even for wide angle applications. The filter is glued into the mount. So it is secured against vibrations when integrated into robots or production lines. It is ideal to be used in automated fabrication. SN1-Mounts have a male and female M-thread and can be stacked if several filters must be combined.

| Key features | Applications |
|----------------------------------------------------------------------------------------------------------------------------------------------------------------------------|---------------------------------------------------------------------------------------------------------------------|
| <ul style="list-style-type: none"> • Maximum clear aperture • No vignetting • Stackable • Robust • Black anodized brass | <ul style="list-style-type: none"> • Mounted on lenses • Mounted on measurement instruments |

| Thread | Diameter | Clear Aperture | Thickness |
|------------|----------|----------------|-----------|
| M 30.5x0.5 | 32 mm | 28 mm | 6.5 mm |



Headquarters Europe

Jos. Schneider Optische Werke GmbH

Ringstraße 132
55543 Bad Kreuznach
+49 671 601 205
isales@schneiderkreuznach.com
www.schneiderkreuznach.com

Offices Worldwide

America

+1 800 645 7239 (East Coast)
+1 800 228 1254 (West Coast)
info@schneideroptics.com

Asia

+86 755 8832 1170
info@schneider-asiapacific.com