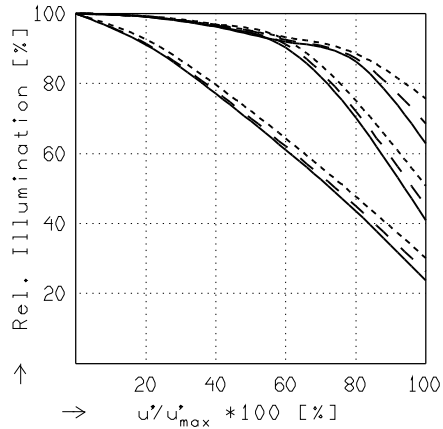
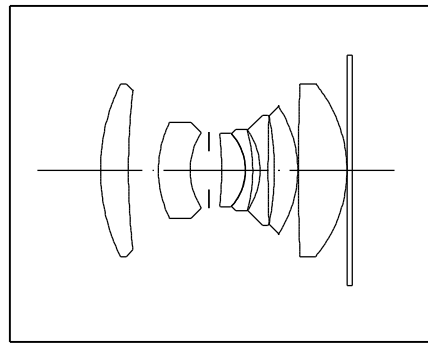


# APO-XENOPLAN 2/24

$f' = 24.5 \text{ mm}$      $\beta_p = 1.937$   
 $s_F = 0.9 \text{ mm}$      $s_{EP} = 13.5 \text{ mm}$   
 $s_{F'} = 17.3 \text{ mm}$      $s_{AP} = -30.1 \text{ mm}$   
 $HH' = -5.5 \text{ mm}$      $\Sigma d = 27.0 \text{ mm}$

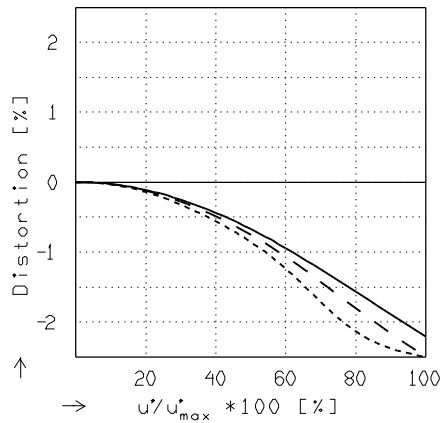


## RELATIVE ILLUMINATION

The relative illumination is shown for the given focal distances or magnifications.

$f / 2.1$        $f / 2.8$        $f / 4.0$

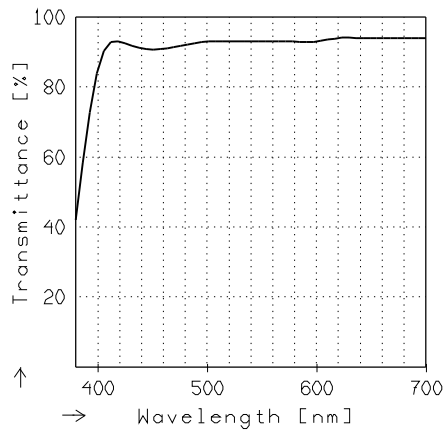
—  $\beta' = -0.0200$      $u'_{max} = 11.7$      $00' = 1269.$   
 - -  $\beta' = -0.0500$      $u'_{max} = 11.7$      $00' = 535.$   
 - · -  $\beta' = -0.1000$      $u'_{max} = 11.6$      $00' = 291.$



## DISTORTION

Distortion is shown for the given focal distances or magnifications. Positive values indicate pincushion distortion and negative values barrel distortion.

—  $\beta' = -0.0200$      $u'_{max} = 11.6$      $00' = 1269.$   
 - -  $\beta' = -0.0500$      $u'_{max} = 11.6$      $00' = 535.$   
 - · -  $\beta' = -0.1000$      $u'_{max} = 11.6$      $00' = 291.$



## TRANSMITTANCE

Relative spectral transmittance is shown with reference to wavelength.

Jos. Schneider Optische Werke GmbH  
 Ringstrasse 132 55543 Bad Kreuznach Germany